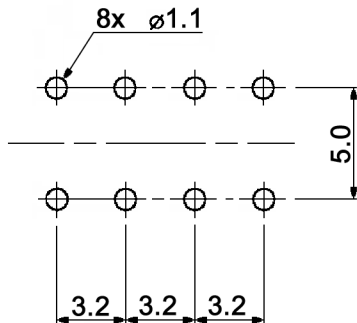
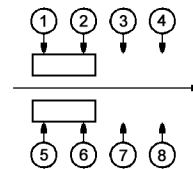


HOLE LAYOUT  $\text{⌀} 0.05$



CIRCUIT DIAGRAM  
BOTTOM VIEW



non-shorting

Compliance: RohS II (2011/65/EU)

Tolerances: up to 10: $\pm 0.2\text{mm}$ above 10-50: $\pm 0.3\text{mm}$	Date	Name	<h1>MFP 230</h1>
	04/16	dr	
Modifications	Date	Name	

**knitter-switch**

**30 35 77**

Page

1/2

Specifications:

Contact rating: 0.3A, 30V DC  
 Contact resistance: 20mOhm max.  
 Insulation resistance: 100MOhm min. at 500V DC for 1 minute  
 Dielectric strength: 500V AC (50/60Hz, 2mA) for 1 minute  
 Operating temperature: -10°C to +60°C  
 Mechanical life: 10 000 cycles  
 Operating force: a-b c-b: 180 +/-80gf  
                           b-a b-c: 250 +/-100gf  
 Soldering conditions: 230 +/-5°C, 3 +/-0.5sec.  
 Material: Cover: PVC, black  
               Terminal: brass strip, silver plated  
               Base: phenolic resin, natural  
               Steel ball: carbon steel, natural  
               Frame: SPCC, nickel plated  
               Contact clip: C5210R-EH, silver plated  
               Spring: SWC, temper  
               Slider: POM, black

Compliance: RohS II (2011/65/EU)

Tolerances: up to 10: ±0.2mm above 10-50: ±0.3mm		Date	Name	<b>MFP 230</b>
		04/16	dr	
			<b>knitter-switch</b>	<b>30 35 77</b>
				Page
				2/2
Modifications	Date	Name		